

therapeutic b

easily adjustable handrail bars



bar training

therapeutic bar training

therapeutic bar training

- easily adjustable handrail bars to complement your current treatment offer
- simple, continuous height adjustment with gas spring support
- reproducible settings through integrated reading scale
- best results through independent width adjustment of the handrails



therapeutic

easily adjustable handrail bars



- easily adjustable handrail bars
- walking bars effortlessly adjustable with one hand?
- handrails in v-form for optimal results?
- optimal setting for hemiparesis patients?

easy and continuous adjustment with gas spring support

Whether in the gym, in the corridor or as a separate training system – walking bars are the ideal complement to the available treatments. The individual settings for height, width and angle of the handrails are crucial for best results, and they have to be quickly and easily adjusted during a busy working day.

push the button

The h/p/cosmos parawalk® has integrated gas piston height adjustment. Adjusting the height is child's play – even with just one hand. The width and angle of the hand rails can be adjusted quickly by lifting the locking lever, pushing the adjustment button for setting the height and after adjustment locking the lever again – that's it.

reproducible settings with integrated scale

Once you have found the perfect setting for a patient you will want use this at the next visit straight away. Therefore, the pillars of the h/p/cosmos parawalk® have an integrated reading scale. With the help of the scale you can exactly determine the current position and reproduce simply at the next training session.

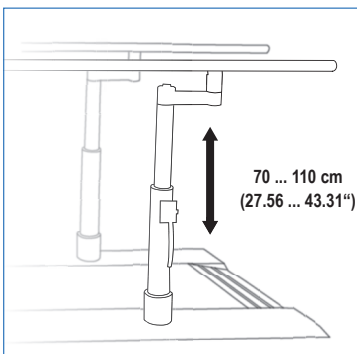




the optimum length

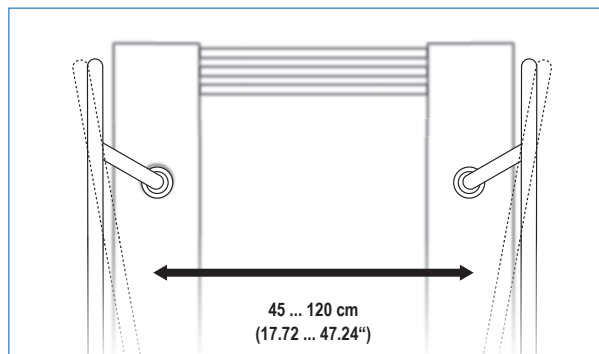
Depending on the space available, the positioning, the patients and therapy target, you will need the optimal walking rail design.

To meet these different needs and requirements the h/p/cosmos parawalk is available with bar lengths of 3, 4 and 5 meters (118.11, 157.48 and 196.95").



70 ... 110 cm
(27.56 ... 43.31")

The h/p/cosmos parawalk has integrated gas pistons allowing easy height adjustment from 70 cm to 110 cm with safe locking levers.



45 ... 120 cm
(17.72 ... 47.24")



recommended configuration therapeutic bar training 4 meter h/p/cosmos parawalk®

pos.	qty.	order number	product description
1.	1	cos30019va01	h/p/cosmos parawalk 4 m parallel bars with wooden plate gas-spring support; very smooth operation; adjustable areas: in width 45...120 cm (17.7...47.2") approx., in height 70...110 cm (27.6 ... 43.3") approx., readable scales (marks) on all 4 pillars, height and width adjustable independently, locking options through levers, minor access wood plate, multi bonded wood plate birch, can be mounted on even floor without cross base plate (including mounting material)
2.	1	cos100917	packing h/p/cosmos parawalk 4 m (13' 1.48") in wooden crate
3.	1	cos60098010021	shipping costs door to door within Europe, confirmed price on request total price net, excluding VAT, excluding custom duties VAT (19 % in Germany, other VAT and/or custom duties may apply in other countries)

system price h/p/cosmos therapeutic bar training 4 meter:
please ask your dealer for a quotation

alternative 1: configuration therapeutic bar training 3 meter h/p/cosmos parawalk®

pos.	qty.	order number	product description
1.	1	cos30018va01	h/p/cosmos parawalk 3m parallel bars with wooden plate (description see above)
2.	1	cos100916	packing h/p/cosmos parawalk 3m (9' 10.11") in wooden crate
3.	1	cos60098010021	shipping costs door to door within Europe, confirmed price on request total price net, excluding VAT, excluding custom duties VAT (19 % in Germany, other VAT and/or custom duties may apply in other countries)

system price h/p/cosmos therapeutic bar training 3 meter:
please ask your dealer for a quotation

alternative 2: configuration therapeutic bar training 5 meter h/p/cosmos parawalk®

pos.	qty.	order number	product description
1.	1	cos30020va01	h/p/cosmos parawalk 5m parallel bars with wooden plate (description see above)
2.	1	cos100918	packing h/p/cosmos parawalk 5 m (16' 4.85") in wooden crate
3.	1	cos60098010021	shipping costs door to door within Europe, confirmed price on request total price net, excluding VAT, excluding custom duties VAT (19 % in Germany, other VAT and/or custom duties may apply in other countries)

system price h/p/cosmos therapeutic bar training 5 meter:
please ask your dealer for a quotation

Please refer to the information about product specifications which can be found on page 120.

specifications parallel bars h/p/cosmos parawalk® 4 meter

parallel bars:	h/p/cosmos parawalk 4 m with wooden plate*
order number:	cos30019va01
applications:	medical parallel-bar-system for rehabilitation and mobility training
walking surface (length):	400 cm (157.50")
walking surface (width):	variable handrail width independently adjustable from 45 ... 120 cm (17.70 ... 47.20")
handrails:	material both sides steel tube 40 mm (1.57") ø
handrail height:	variable handrail height independently adjustable from 70 ... 110 cm (27.56 ... 43.30"), readable scales (marks) on all 4 pillars
maximum user weight:	400 kg (880 lbs)
classification:	class I (MDD), non-active therapeutic device
colour:	white colour RAL9010 (special colour on request)
weight:	net: 300 kg (660 lbs); gross: 480 kg (1058.2 lbs)

specifications parallel bars h/p/cosmos parawalk® 3 meter

parallel bars:	h/p/cosmos parawalk 3 m with wooden plate*
order number:	cos30018va01
applications:	medical parallel-bar-system for rehabilitation and mobility training
walking surface (length):	300 cm (118.10")
walking surface (width):	variable handrail width independently adjustable from 45 ... 120 cm (17.70 ... 47.20")
handrails:	material both sides steel tube 40 mm (1.57") ø
handrail height:	variable handrail height independently adjustable from 70 ... 110 cm (27.56 ... 43.30"), readable scales (marks) on all 4 pillars
maximum user weight:	400 kg (880 lbs)
classification:	class I (MDD), non-active therapeutic device
colour:	white colour RAL9010 (special colour on request)
weight:	net: 291 kg (640 lbs); gross: 451 kg (994.3 lbs)

specifications parallel bars h/p/cosmos parawalk® 5 meter

parallel bars:	h/p/cosmos parawalk 5 m with wooden plate*
order number:	cos30020va01
applications:	medical parallel-bar-system for rehabilitation and mobility training
walking surface (length):	500 cm (196.85")
walking surface (width):	variable handrail width independently adjustable from 45 ... 120 cm (17.70 ... 47.20")
handrails:	material both sides steel tube 40 mm (1.57") ø
handrail height:	variable handrail height independently adjustable from 70 ... 110 cm (27.56 ... 43.30"), readable scales (marks) on all 4 pillars
maximum user weight:	400 kg (880 lbs)
classification:	class I (MDD), non-active therapeutic device
colour:	white colour RAL9010 (special colour on request)
weight:	net: 350 kg (770 lbs); gross: 550 kg (1212.5 lbs)

* The wooden plate is made of birch ply and has ramps on both ends. The parallel bars can be installed without the wooden plate and without cross members for unobstructed walking directly on the floor, but need to be bolted on the floor. Mounting material is included. When using the cross members and wooden plate, no bolting is required and the system is free standing. The ramp is 35 mm (1.38") high.

Warning!

Installation, commissioning, instruction and maintenance only to be conducted by h/p/cosmos trained and authorised personnel.



4 sets of para walk® with 4 meters length each, installed to a total of 16 meters walk way