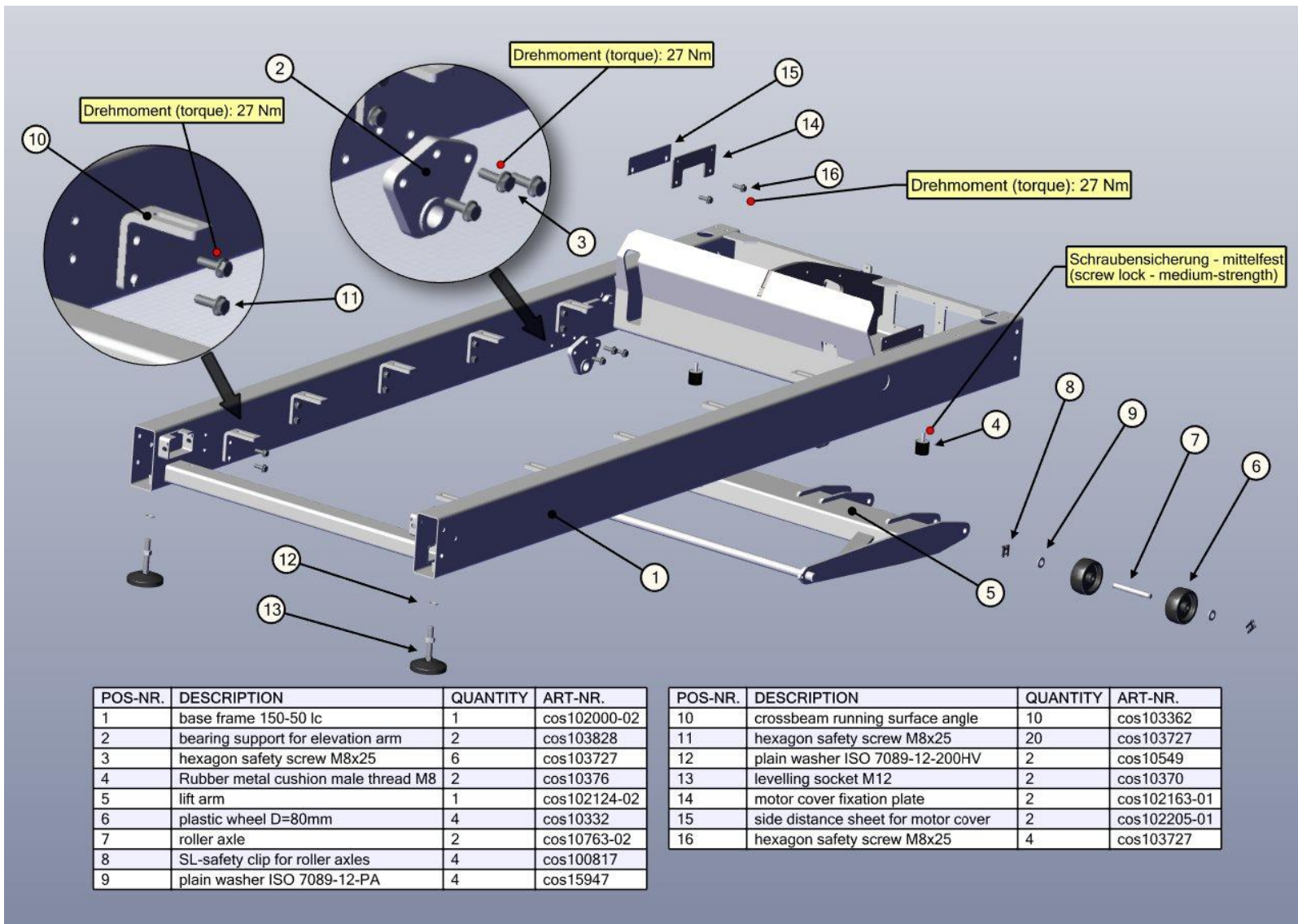


Explosion drawing pluto sport / med [cos30026-01]
 manufactured from 2019 on

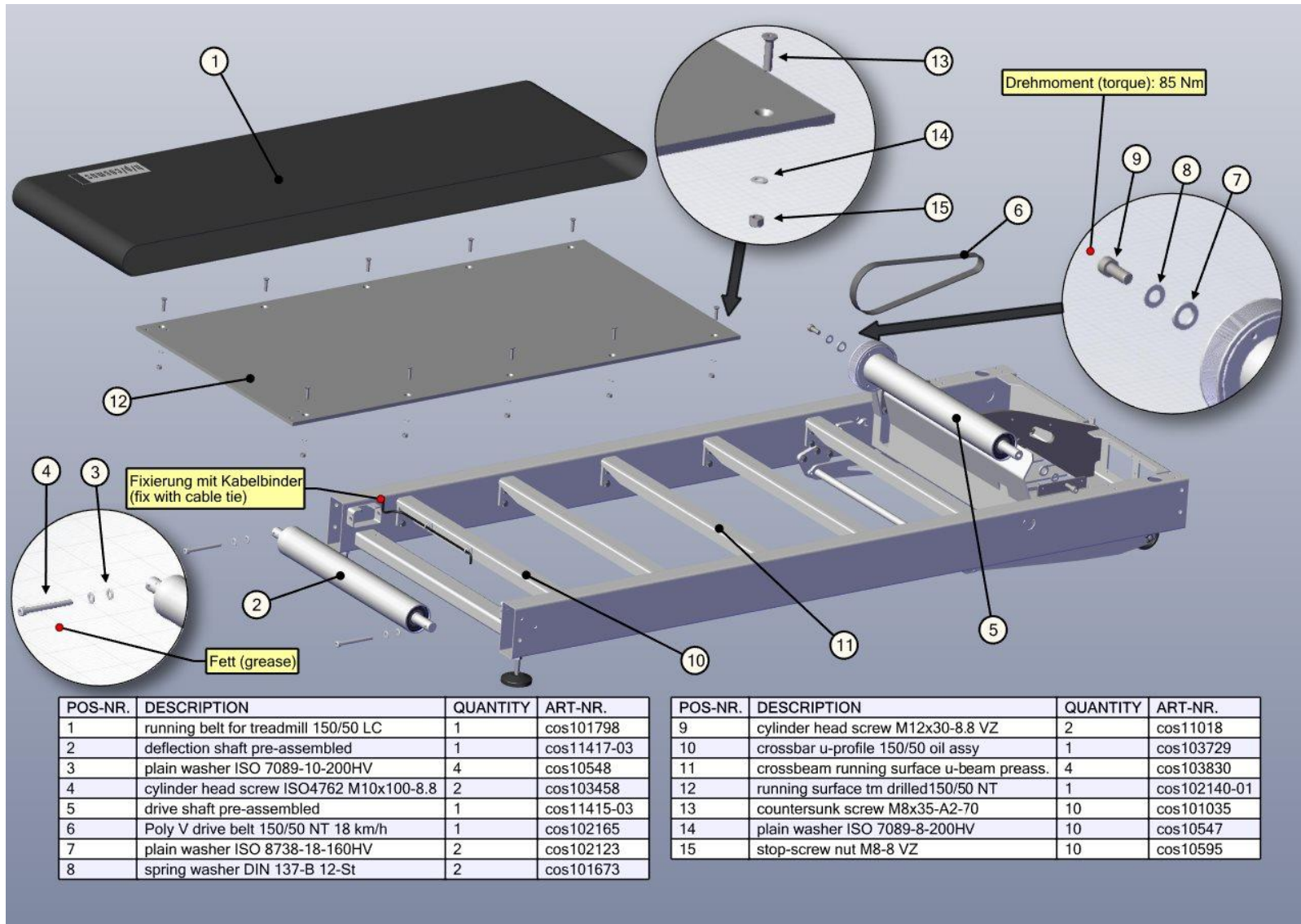


	name / department	date	sign
executed			
checked			
released			



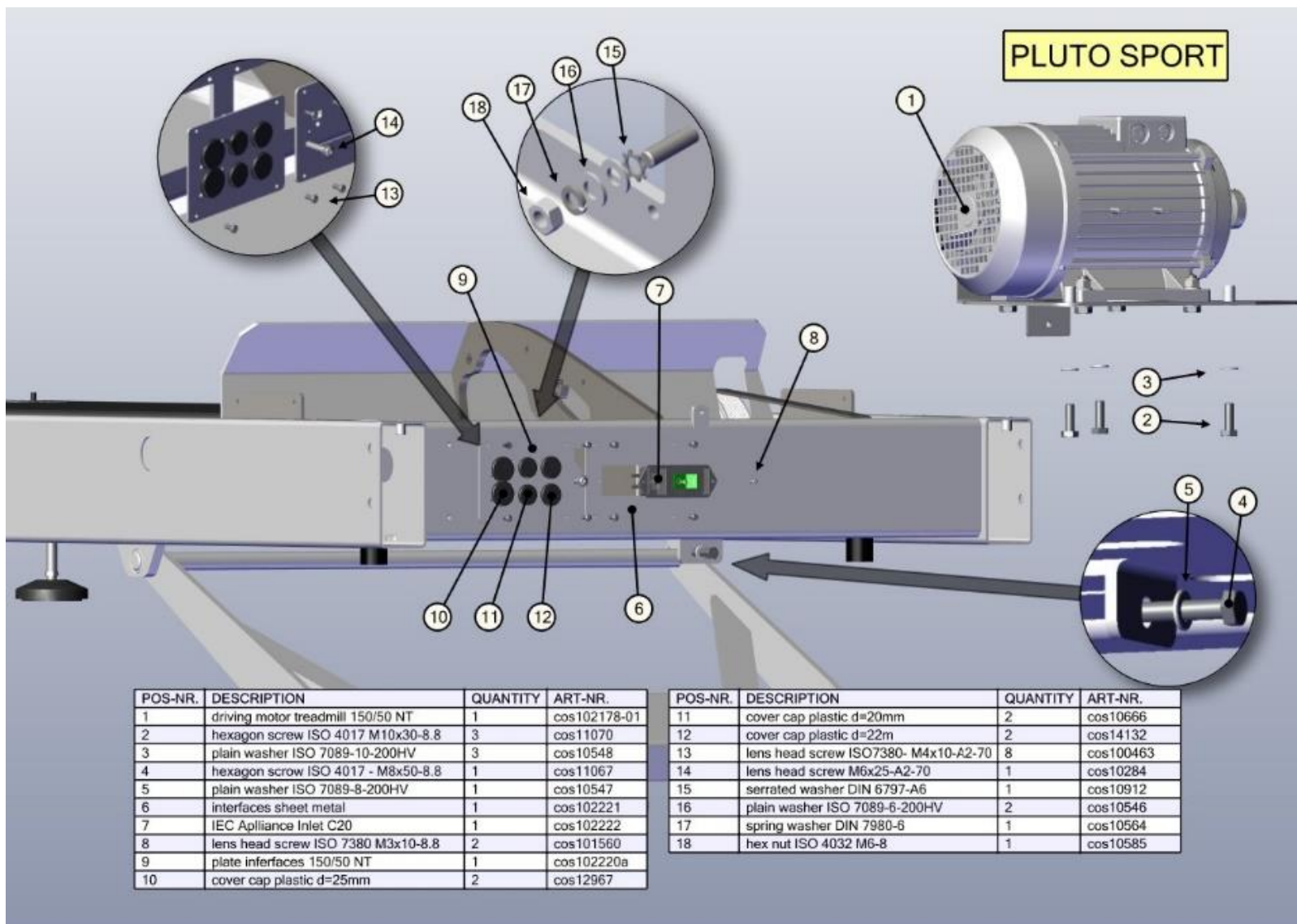
POS-NR.	DESCRIPTION	QUANTITY	ART-NR.
1	base frame 150-50 lc	1	cos102000-02
2	bearing support for elevation arm	2	cos103828
3	hexagon safety screw M8x25	6	cos103727
4	Rubber metal cushion male thread M8	2	cos10376
5	lift arm	1	cos102124-02
6	plastic wheel D=80mm	4	cos10332
7	roller axle	2	cos10763-02
8	SL-safety clip for roller axles	4	cos100817
9	plain washer ISO 7089-12-PA	4	cos15947

POS-NR.	DESCRIPTION	QUANTITY	ART-NR.
10	crossbeam running surface angle	10	cos103362
11	hexagon safety screw M8x25	20	cos103727
12	plain washer ISO 7089-12-200HV	2	cos10549
13	levelling socket M12	2	cos10370
14	motor cover fixation plate	2	cos102163-01
15	side distance sheet for motor cover	2	cos102205-01
16	hexagon safety screw M8x25	4	cos103727



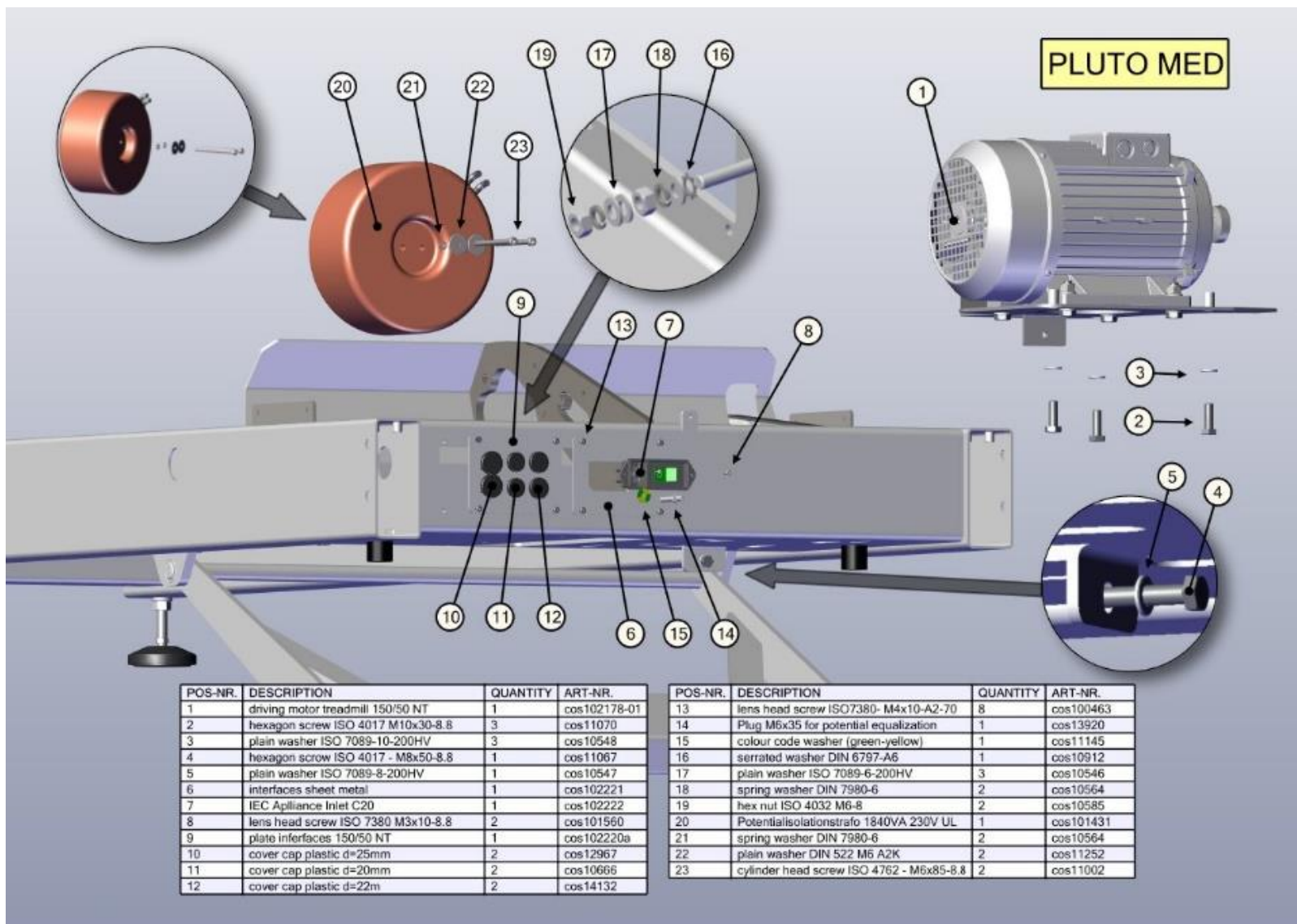
POS-NR.	DESCRIPTION	QUANTITY	ART-NR.
1	running belt for treadmill 150/50 LC	1	cos101798
2	deflection shaft pre-assembled	1	cos11417-03
3	plain washer ISO 7089-10-200HV	4	cos10548
4	cylinder head screw ISO4762 M10x100-8.8	2	cos103458
5	drive shaft pre-assembled	1	cos11415-03
6	Poly V drive belt 150/50 NT 18 km/h	1	cos102165
7	plain washer ISO 8738-18-160HV	2	cos102123
8	spring washer DIN 137-B 12-St	2	cos101673

POS-NR.	DESCRIPTION	QUANTITY	ART-NR.
9	cylinder head screw M12x30-8.8 VZ	2	cos11018
10	crossbar u-profile 150/50 oil assy	1	cos103729
11	crossbeam running surface u-beam preass.	4	cos103830
12	running surface tm drilled150/50 NT	1	cos102140-01
13	countersunk screw M8x35-A2-70	10	cos101035
14	plain washer ISO 7089-8-200HV	10	cos10547
15	stop-screw nut M8-8 VZ	10	cos10595



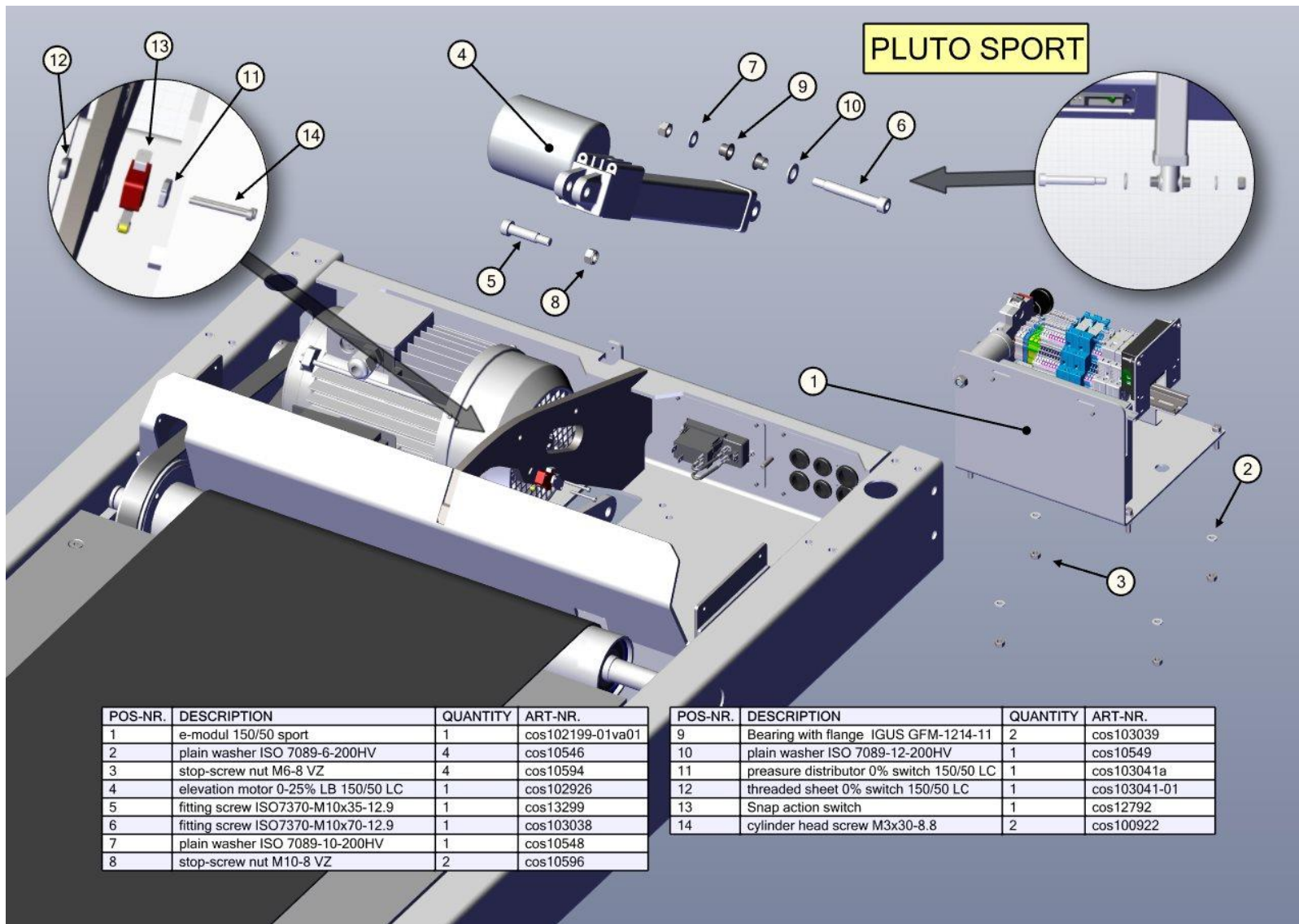
POS-NR.	DESCRIPTION	QUANTITY	ART-NR.
1	driving motor treadmill 150/50 NT	1	cos102178-01
2	hexagon screw ISO 4017 M10x30-8.8	3	cos11070
3	plain washer ISO 7089-10-200HV	3	cos10548
4	hexagon screw ISO 4017 - M8x50-8.8	1	cos11067
5	plain washer ISO 7089-8-200HV	1	cos10547
6	interfaces sheet metal	1	cos102221
7	IEC Appliance Inlet C20	1	cos102222
8	lens head screw ISO 7380 M3x10-8.8	2	cos101560
9	plate interfaces 150/50 NT	1	cos102220a
10	cover cap plastic d=25mm	2	cos12967

POS-NR.	DESCRIPTION	QUANTITY	ART-NR.
11	cover cap plastic d=20mm	2	cos10666
12	cover cap plastic d=22mm	2	cos14132
13	lens head screw ISO7380- M4x10-A2-70	8	cos100463
14	lens head screw M6x25-A2-70	1	cos10284
15	serrated washer DIN 6797-A6	1	cos10912
16	plain washer ISO 7089-6-200HV	2	cos10546
17	spring washer DIN 7980-6	1	cos10564
18	hex nut ISO 4032 M6-8	1	cos10585



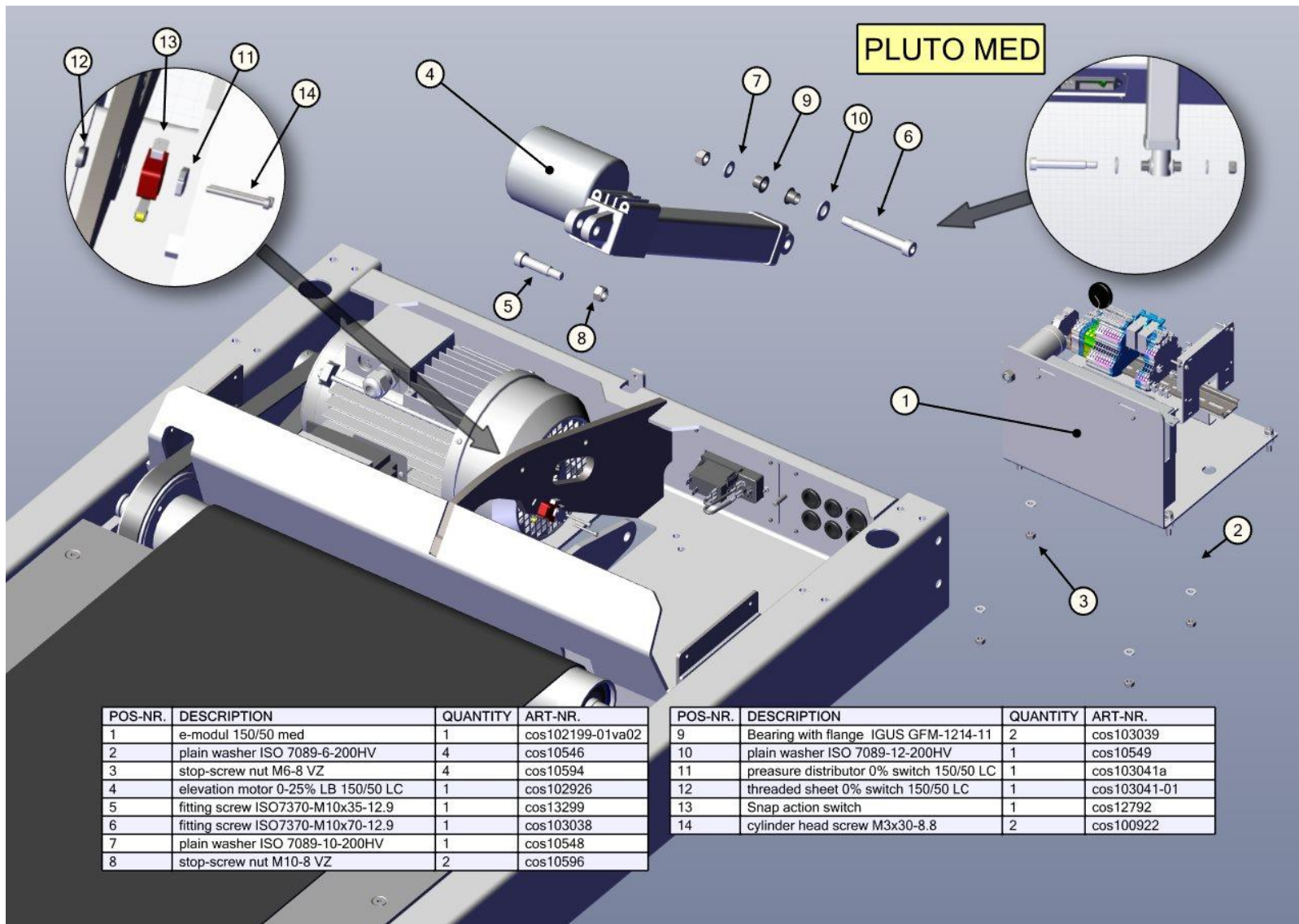
POS-NR.	DESCRIPTION	QUANTITY	ART-NR.
1	driving motor treadmill 150/50 NT	1	cos102178-01
2	hexagon screw ISO 4017 M10x30-8.8	3	cos11070
3	plain washer ISO 7089-10-200HV	3	cos10548
4	hexagon screw ISO 4017 - M8x50-8.8	1	cos11067
5	plain washer ISO 7089-8-200HV	1	cos10547
6	interfaces sheet metal	1	cos102221
7	IEC Appliance Inlet C20	1	cos102222
8	lens head screw ISO 7380 M3x10-8.8	2	cos101560
9	plate interfaces 150/50 NT	1	cos102220a
10	cover cap plastic d=25mm	2	cos12967
11	cover cap plastic d=20mm	2	cos10666
12	cover cap plastic d=22m	2	cos14132

POS-NR.	DESCRIPTION	QUANTITY	ART-NR.
13	lens head screw ISO7380- M4x10-A2-70	8	cos100463
14	Plug M6x35 for potential equalization	1	cos13920
15	colour code washer (green-yellow)	1	cos11145
16	serrated washer DIN 6797-A6	1	cos10912
17	plain washer ISO 7089-6-200HV	3	cos10546
18	spring washer DIN 7980-6	2	cos10564
19	hex nut ISO 4032 M6-8	2	cos10585
20	Potentialisolationstrafo 1840VA 230V UL	1	cos101431
21	spring washer DIN 7980-6	2	cos10564
22	plain washer DIN 522 M5 A2K	2	cos11252
23	cylinder head screw ISO 4762 - M6x85-8.8	2	cos11002



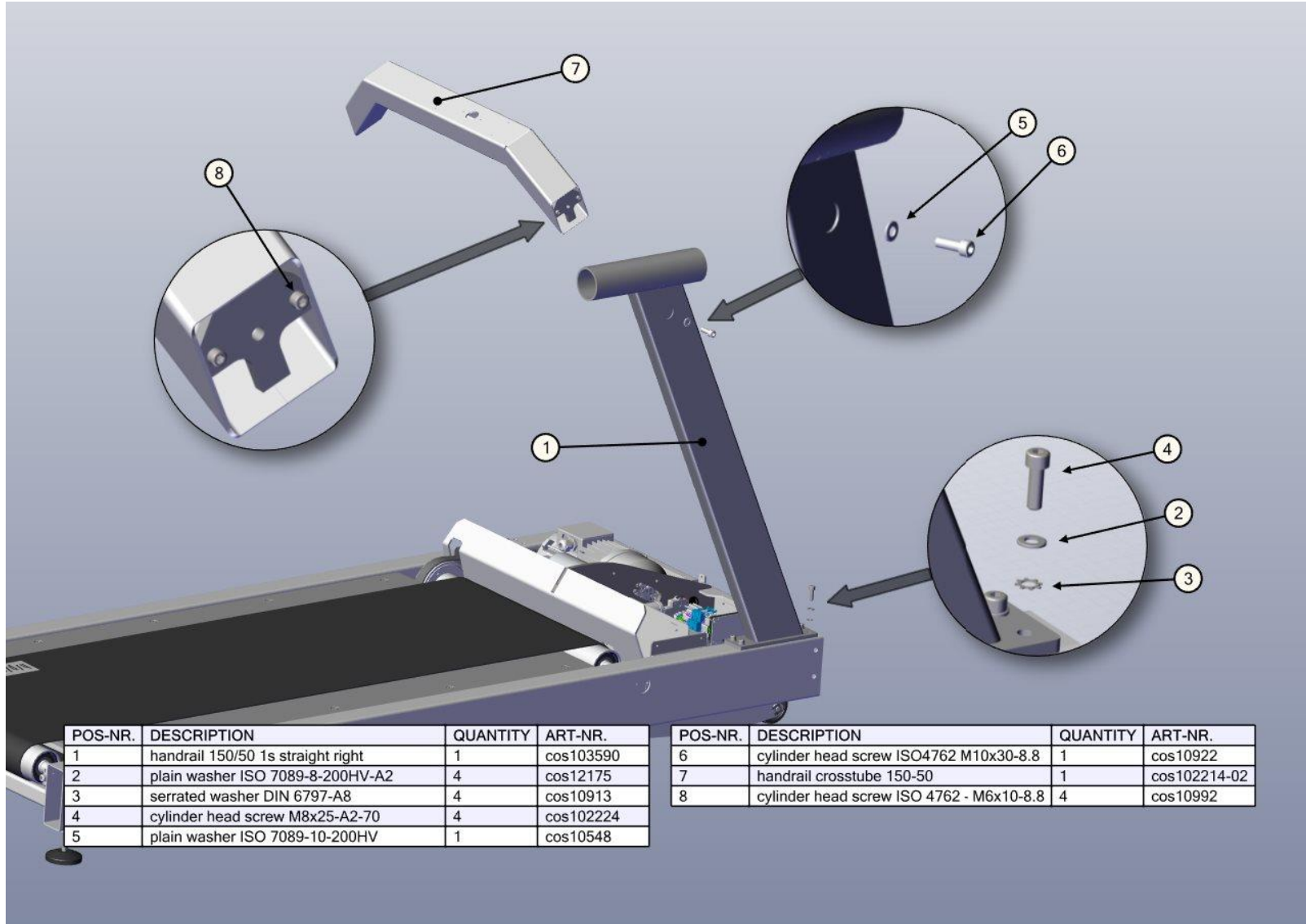
POS-NR.	DESCRIPTION	QUANTITY	ART-NR.
1	e-modul 150/50 sport	1	cos102199-01va01
2	plain washer ISO 7089-6-200HV	4	cos10546
3	stop-screw nut M6-8 VZ	4	cos10594
4	elevation motor 0-25% LB 150/50 LC	1	cos102926
5	fitting screw ISO7370-M10x35-12.9	1	cos13299
6	fitting screw ISO7370-M10x70-12.9	1	cos103038
7	plain washer ISO 7089-10-200HV	1	cos10548
8	stop-screw nut M10-8 VZ	2	cos10596

POS-NR.	DESCRIPTION	QUANTITY	ART-NR.
9	Bearing with flange IGUS GFM-1214-11	2	cos103039
10	plain washer ISO 7089-12-200HV	1	cos10549
11	pressure distributor 0% switch 150/50 LC	1	cos103041a
12	threaded sheet 0% switch 150/50 LC	1	cos103041-01
13	Snap action switch	1	cos12792
14	cylinder head screw M3x30-8.8	2	cos100922



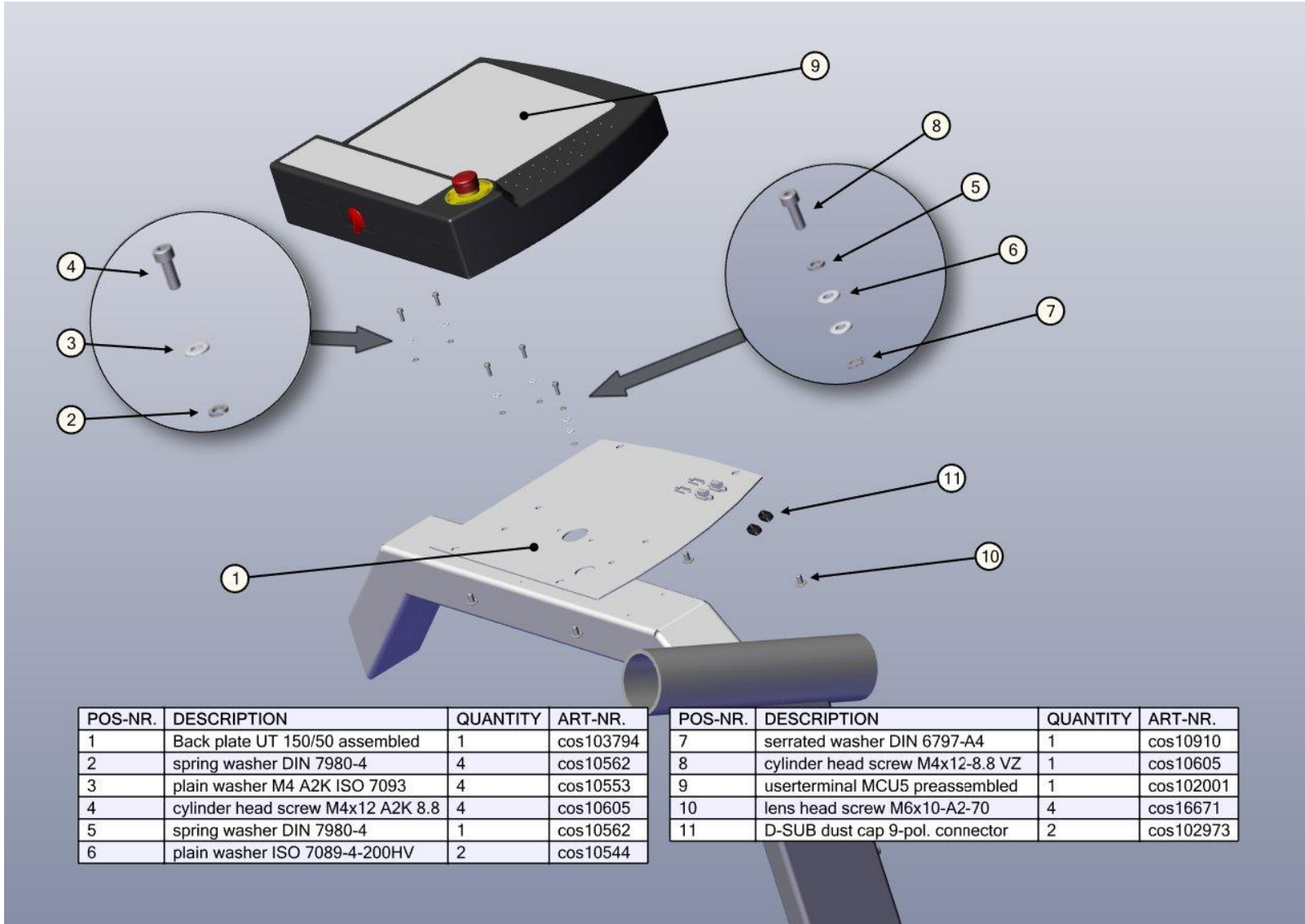
POS-NR.	DESCRIPTION	QUANTITY	ART-NR.
1	e-modul 150/50 med	1	cos102199-01va02
2	plain washer ISO 7089-6-200HV	4	cos10546
3	stop-screw nut M6-8 VZ	4	cos10594
4	elevation motor 0-25% LB 150/50 LC	1	cos102926
5	fitting screw ISO7370-M10x35-12.9	1	cos13299
6	fitting screw ISO7370-M10x70-12.9	1	cos103038
7	plain washer ISO 7089-10-200HV	1	cos10548
8	stop-screw nut M10-8 VZ	2	cos10596

POS-NR.	DESCRIPTION	QUANTITY	ART-NR.
9	Bearing with flange IGUS GFM-1214-11	2	cos103039
10	plain washer ISO 7089-12-200HV	1	cos10549
11	pressure distributor 0% switch 150/50 LC	1	cos103041a
12	threaded sheet 0% switch 150/50 LC	1	cos103041-01
13	Snap action switch	1	cos12792
14	cylinder head screw M3x30-8.8	2	cos100922



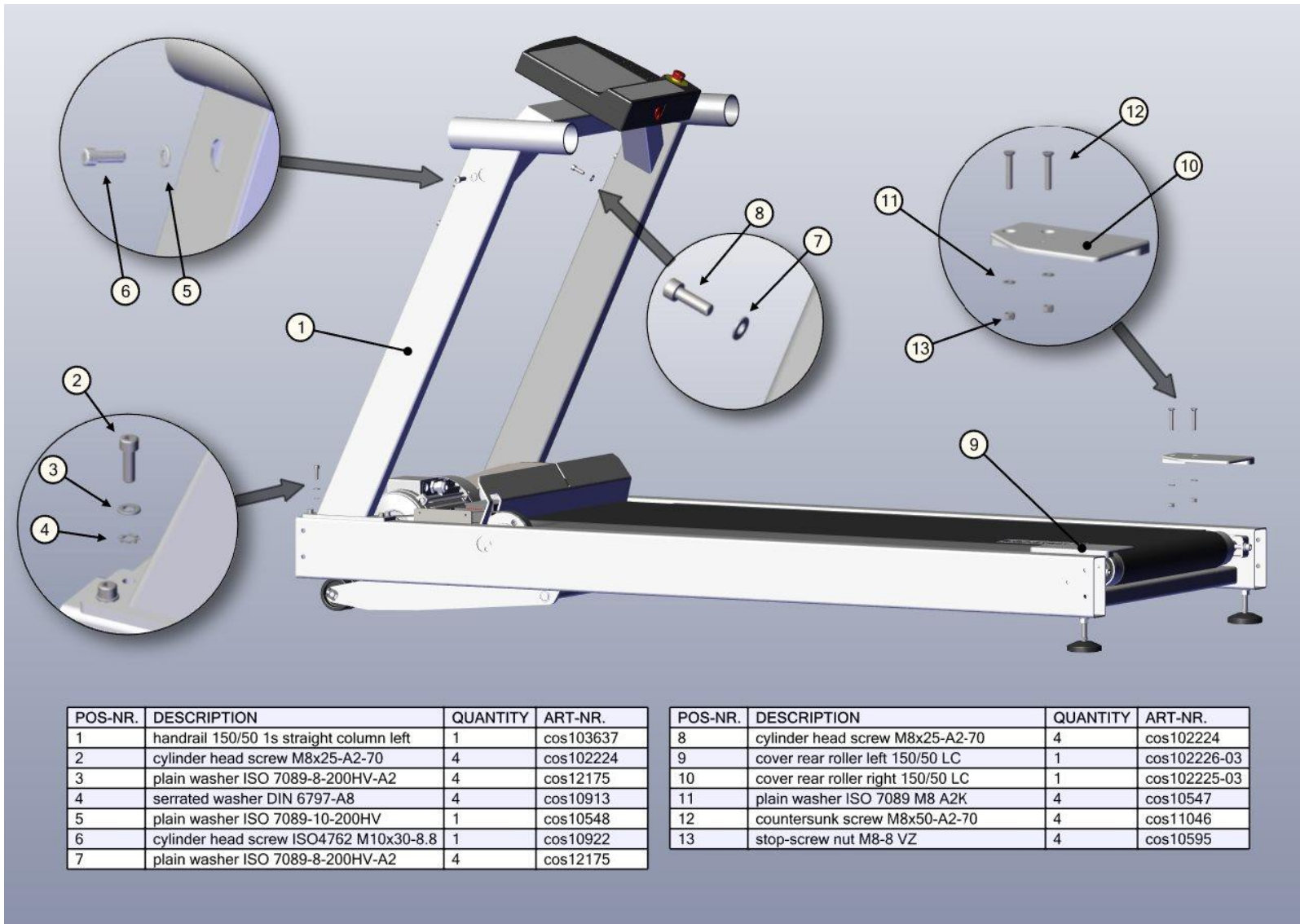
POS-NR.	DESCRIPTION	QUANTITY	ART-NR.
1	handrail 150/50 1s straight right	1	cos103590
2	plain washer ISO 7089-8-200HV-A2	4	cos12175
3	serrated washer DIN 6797-A8	4	cos10913
4	cylinder head screw M8x25-A2-70	4	cos102224
5	plain washer ISO 7089-10-200HV	1	cos10548

POS-NR.	DESCRIPTION	QUANTITY	ART-NR.
6	cylinder head screw ISO4762 M10x30-8.8	1	cos10922
7	handrail crosstube 150-50	1	cos102214-02
8	cylinder head screw ISO 4762 - M6x10-8.8	4	cos10992



POS-NR.	DESCRIPTION	QUANTITY	ART-NR.
1	Back plate UT 150/50 assembled	1	cos103794
2	spring washer DIN 7980-4	4	cos10562
3	plain washer M4 A2K ISO 7093	4	cos10553
4	cylinder head screw M4x12 A2K 8.8	4	cos10605
5	spring washer DIN 7980-4	1	cos10562
6	plain washer ISO 7089-4-200HV	2	cos10544

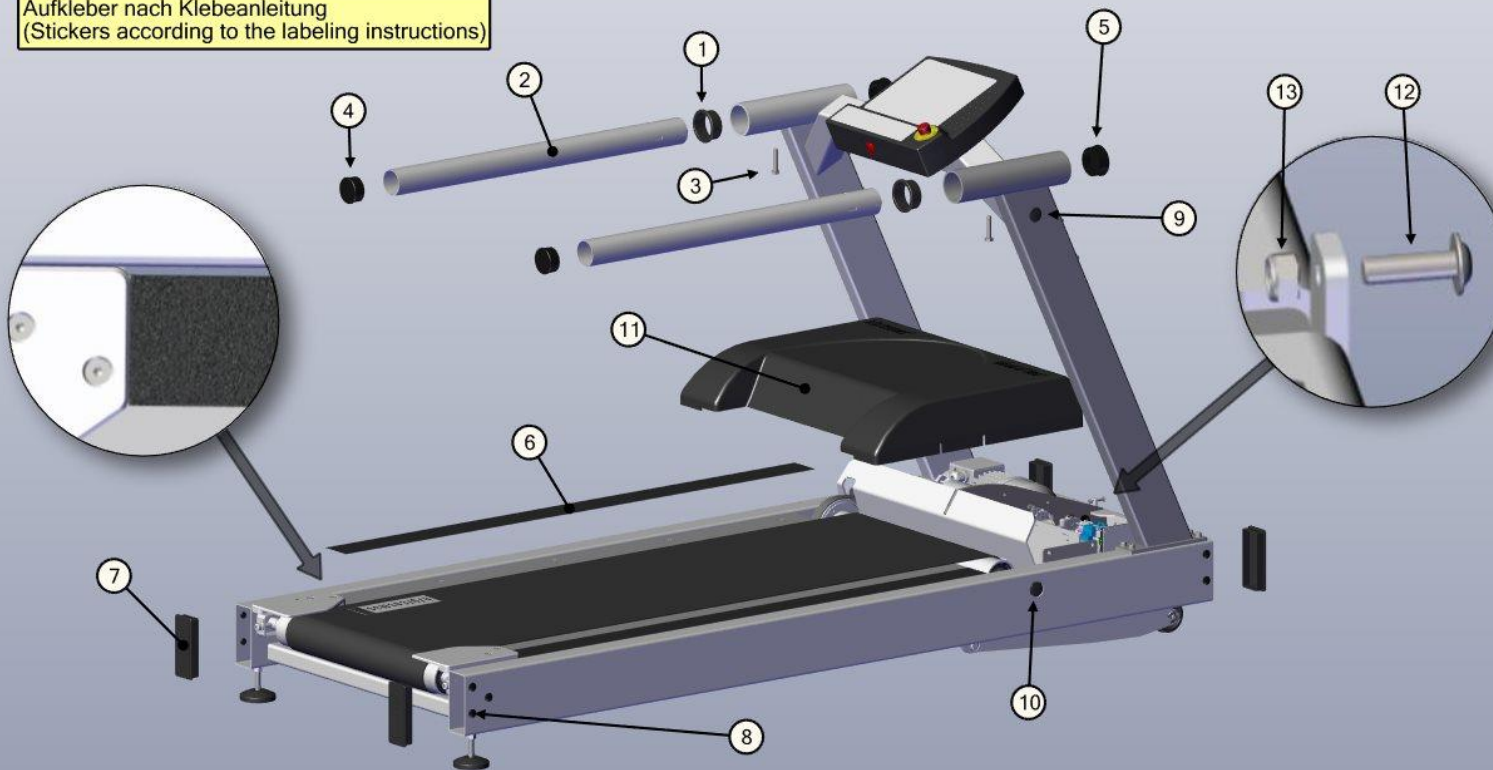
POS-NR.	DESCRIPTION	QUANTITY	ART-NR.
7	serrated washer DIN 6797-A4	1	cos10910
8	cylinder head screw M4x12-8.8 VZ	1	cos10605
9	userterminal MCU5 preassembled	1	cos102001
10	lens head screw M6x10-A2-70	4	cos16671
11	D-SUB dust cap 9-pol. connector	2	cos102973



POS-NR.	DESCRIPTION	QUANTITY	ART-NR.
1	handrail 150/50 1s straight column left	1	cos103637
2	cylinder head screw M8x25-A2-70	4	cos102224
3	plain washer ISO 7089-8-200HV-A2	4	cos12175
4	serrated washer DIN 6797-A8	4	cos10913
5	plain washer ISO 7089-10-200HV	1	cos10548
6	cylinder head screw ISO4762 M10x30-8.8	1	cos10922
7	plain washer ISO 7089-8-200HV-A2	4	cos12175

POS-NR.	DESCRIPTION	QUANTITY	ART-NR.
8	cylinder head screw M8x25-A2-70	4	cos102224
9	cover rear roller left 150/50 LC	1	cos102226-03
10	cover rear roller right 150/50 LC	1	cos102225-03
11	plain washer ISO 7089 M8 A2K	4	cos10547
12	countersunk screw M8x50-A2-70	4	cos11046
13	stop-screw nut M8-8 VZ	4	cos10595

Aufkleber nach Klebeanleitung
(Stickers according to the labeling instructions)



POS-NR.	DESCRIPTION	QUANTITY	ART-NR.
1	straight guide bush	2	cos101298
2	handrail tube	2	cos103570
3	hexagon screw ISO 4017 M10x50-A2	2	cos103605
4	Cover cap plastic d=60x1,5-2mm black	2	cos10228
5	Cover cap plastic d=70x2mm black	2	cos103606
6	step tape 75mm, black	2	cos103428
7	Plastic cover cap 140x60x3mm, black	4	cos11702

POS-NR.	DESCRIPTION	QUANTITY	ART-NR.
8	blind plug D=11mm	10	cos103740
9	cover cap plastic d=30mm, black	2	cos10535
10	cover cap plastic d=38mm, black	2	cos10536
11	motor cover 150-50	1	cos10893-02
12	lens head screw M6x20-A2-70	5	cos103234
13	stop-screw nut M6-8 VZ	5	cos10594

